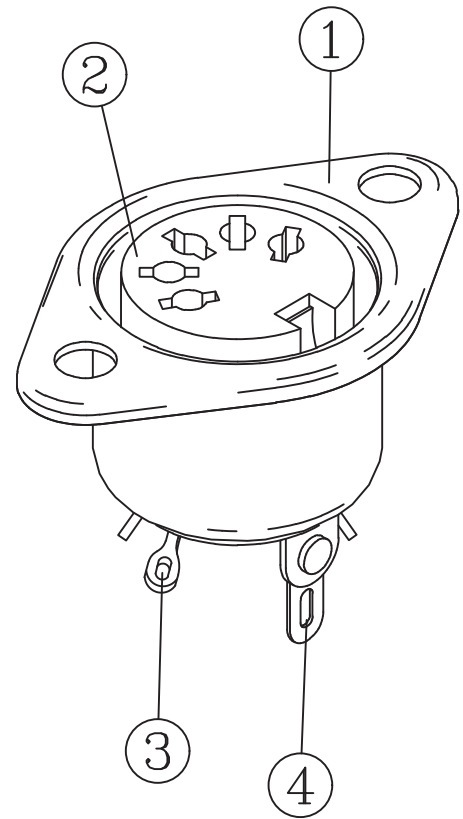
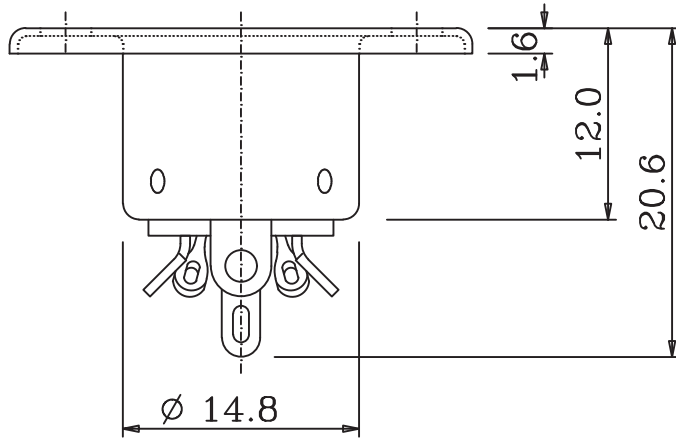
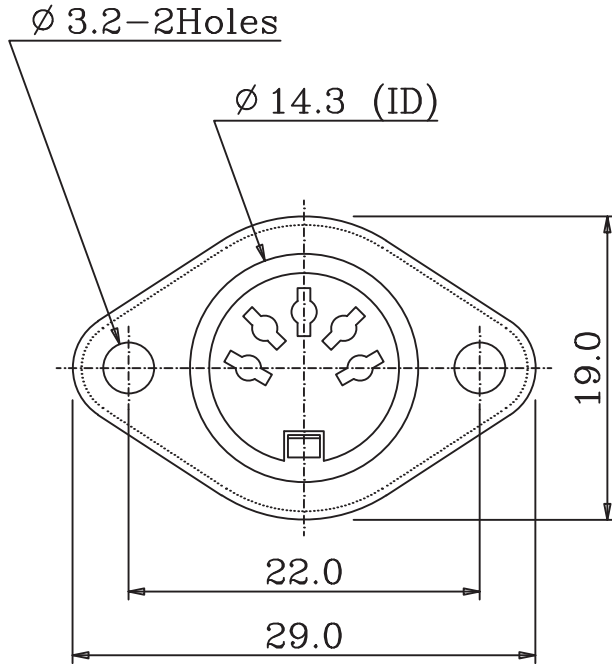


ARRANGEMENT OF CONTACTS

PARTS	3P	4P	5P		6P	7P	8P		
ANGLE	180°	216°	180°	240°	360°	240°	270°	270°	262°
POSITION OF VIEWS									

SPECIFICATIONS

Contact resistance	20mΩ Max.
Dielectric strength	1,000V AC/1 Minute
Insulation resistance	100MΩ Min. at 500V DC
Rating	100V AC 2A



4	GROUNDING PIECE	1	BSR-H (0.2t) [C1519R-H]	NICKEL	30-50u"
3	CONTACT TERMINAL	5	BSR-H (0.6t) [C2680R]	TIN PLATED	30-50u"
2	FEMALE INSERT	1	PBT [D202G15]		UL94V-0
1	MAIN BODY	1	JIS G3141 SPCC-SD (0.4t)	NICKEL	30-50u"
P/N	PART NAME	Q'TY	MATERIAL	PLATING	REMARKS

DATE	980917	SCALE	2 : 1	UNIT	M/M	MODEL NO.		
CONNECTORS							5 P	180° JACK
FILE NO.								
DESIGN	DRAFTSMAN	APPREVE						